

MILENCO

Fitting XLV Van Door Lock

THINK READ PLAN

At Milenco, we have manufacturing vehicle locks for many years. We have manufactured and supplied hundreds of thousands of locks which have been successfully fitted to vehicles.

Carefully plan the position of the lock on your vehicle.

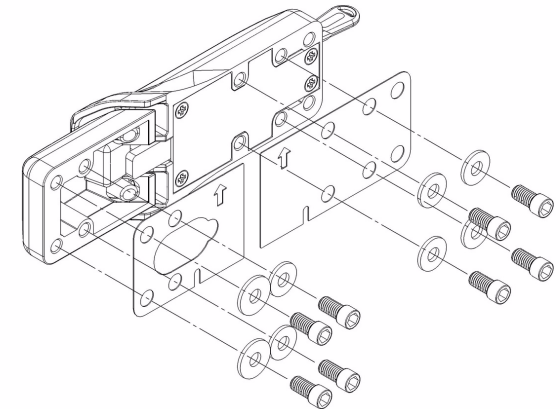
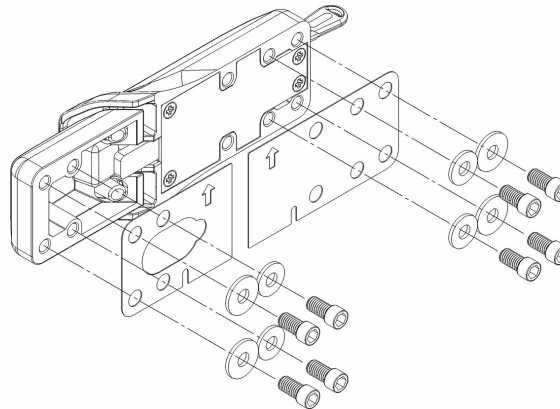
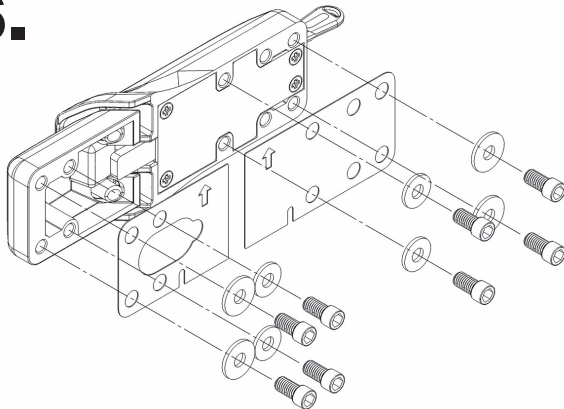
We recommend that the lock face points to the rear of the vehicle to minimise the ingress of road dirt.

Sometimes over the years we have seen people trying to fit locks in an inappropriate position, where it has even prevented the doors from opening, typically when trying to avoid vehicle graphics.

It is of critical importance that you adequately and carefully plan the position of the lock for a successful fitment.

The locking mechanism can be mounted in 3 ways with 4 bolts in the end holes or the centre holes and left or right pair of holes for versatility of fitment subject to vehicle design and access.

6.



The catch part of the lock also requires 4 bolts.

It is also possible to mount the lock with the catch to the left or right subject to your requirements or vehicle design.

1. We recommend double checking the position you plan to fit the lock before drilling holes in the vehicle body. The simplest way to do this is to attach the lock with tape and check you have adequate clearance all around the lock for doors to open and you have access to fit the bolts through the vehicle body. [Image 1](#)
You will probably need to remove part of the vehicle lining for fitment.

2. Once you are satisfied with the lock position, use the self-adhesive template for drillhole position. Centre top and bottom notch in template on door split. [Image 2](#)

3. Another tip is to drill the 2 outer holes as small 1mm pilot holes. If you have any doubts at all about internal access in order to check position. [Image 3](#)

4. When you are satisfied with the mounting position drill 8 x 6.5 mm holes through the template. [Image 4](#)

5. Remove template and bolt lock through vehicle body ensuring gasket arrows are pointing upwards (**IMPORTANT see red arrows on image**) and gasket is on the outside of the vehicle body. [Image 5](#)

6. Use washers and tighten the 8 bolts and washers from inside of the vehicle body [Image 6](#)

7. Check operation.

You have been supplied with three keys. Spare keys are available but we do require your key number. Make a note of it and keep it in a safe place.

MILENCO

Fitting XLV Van Door Lock

